

KALEA
LIFTS

ELEVATING EVERYDAY LIFE



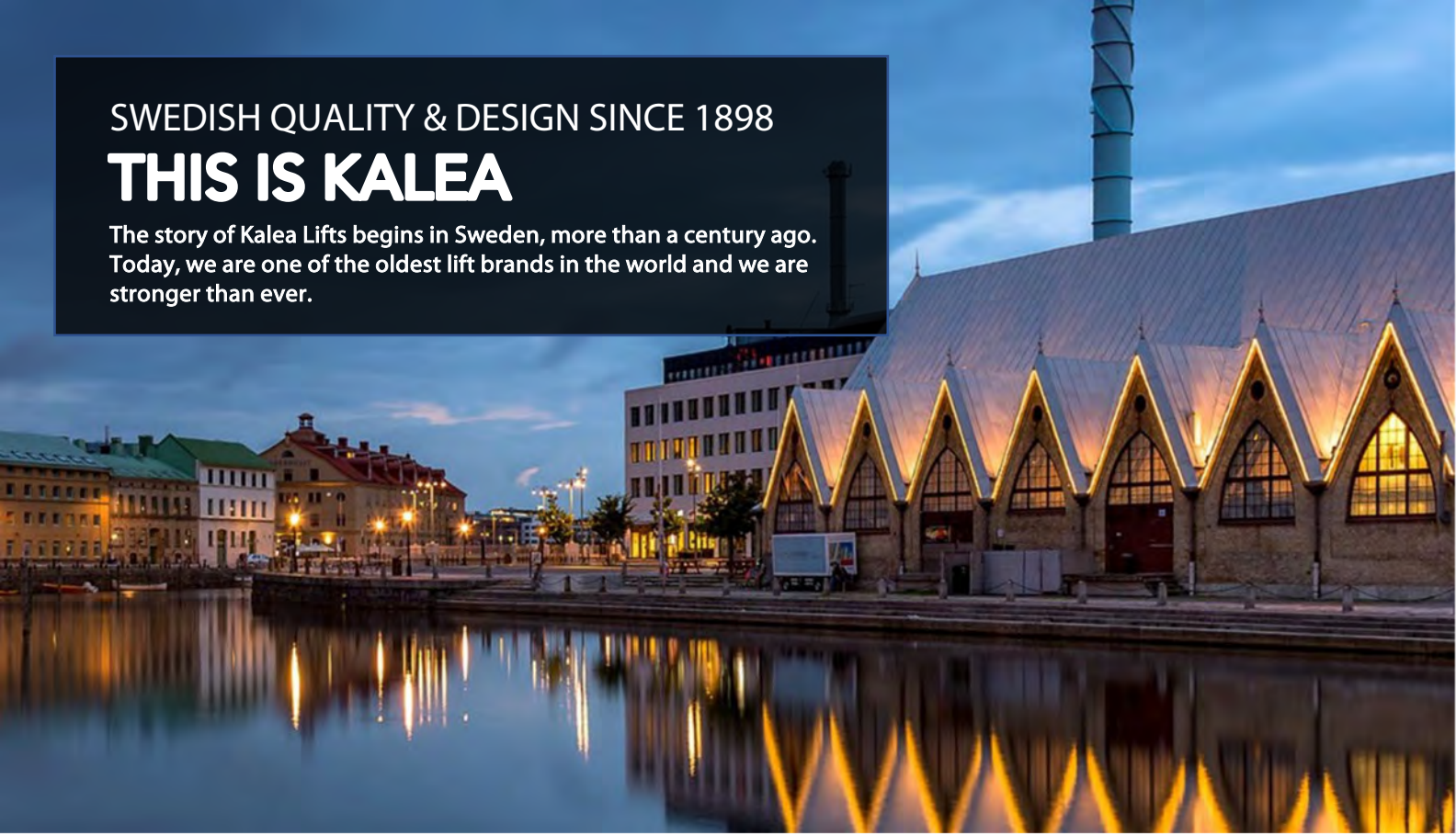
KOSMOS
K-SERIES



SWEDISH QUALITY & DESIGN SINCE 1898

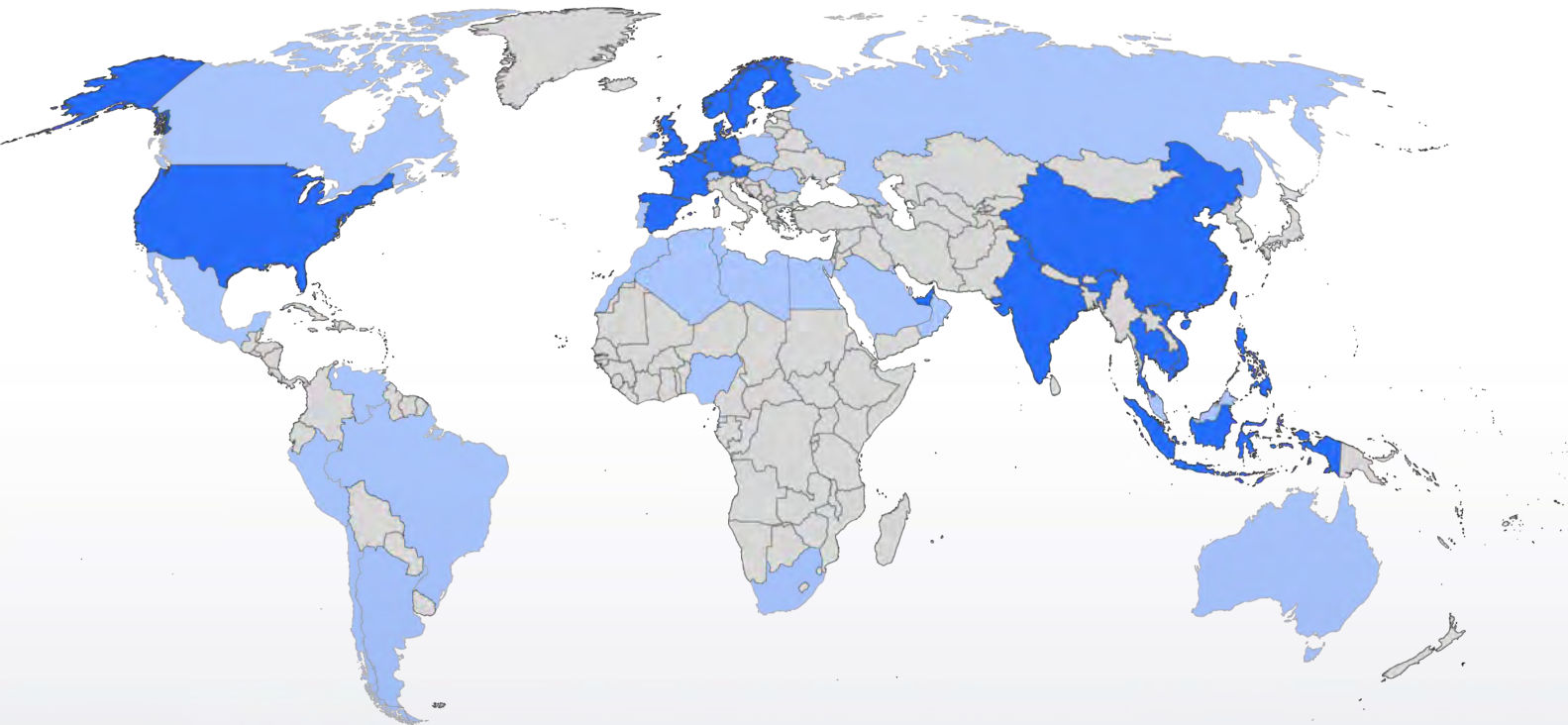
THIS IS KALEA

The story of Kalea Lifts begins in Sweden, more than a century ago. Today, we are one of the oldest lift brands in the world and we are stronger than ever.



KALEA LIFTS

ACROSS THE WORLD



SCREW - DRIVEN HOME LIFTS

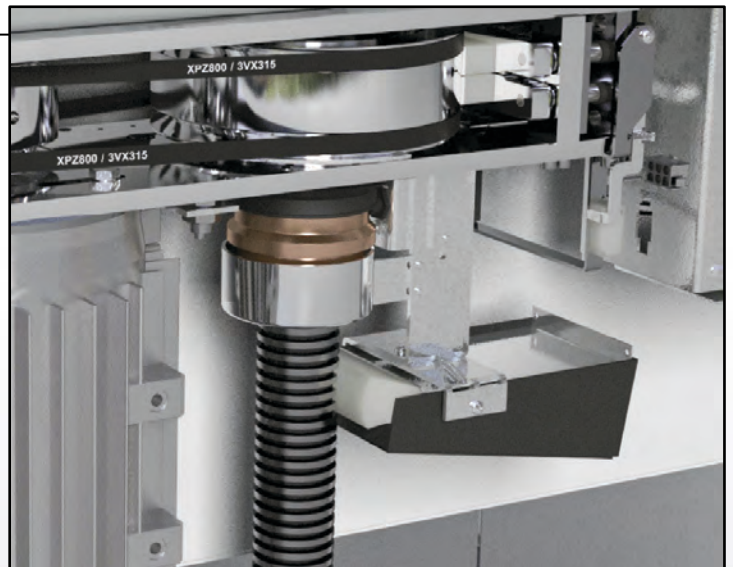


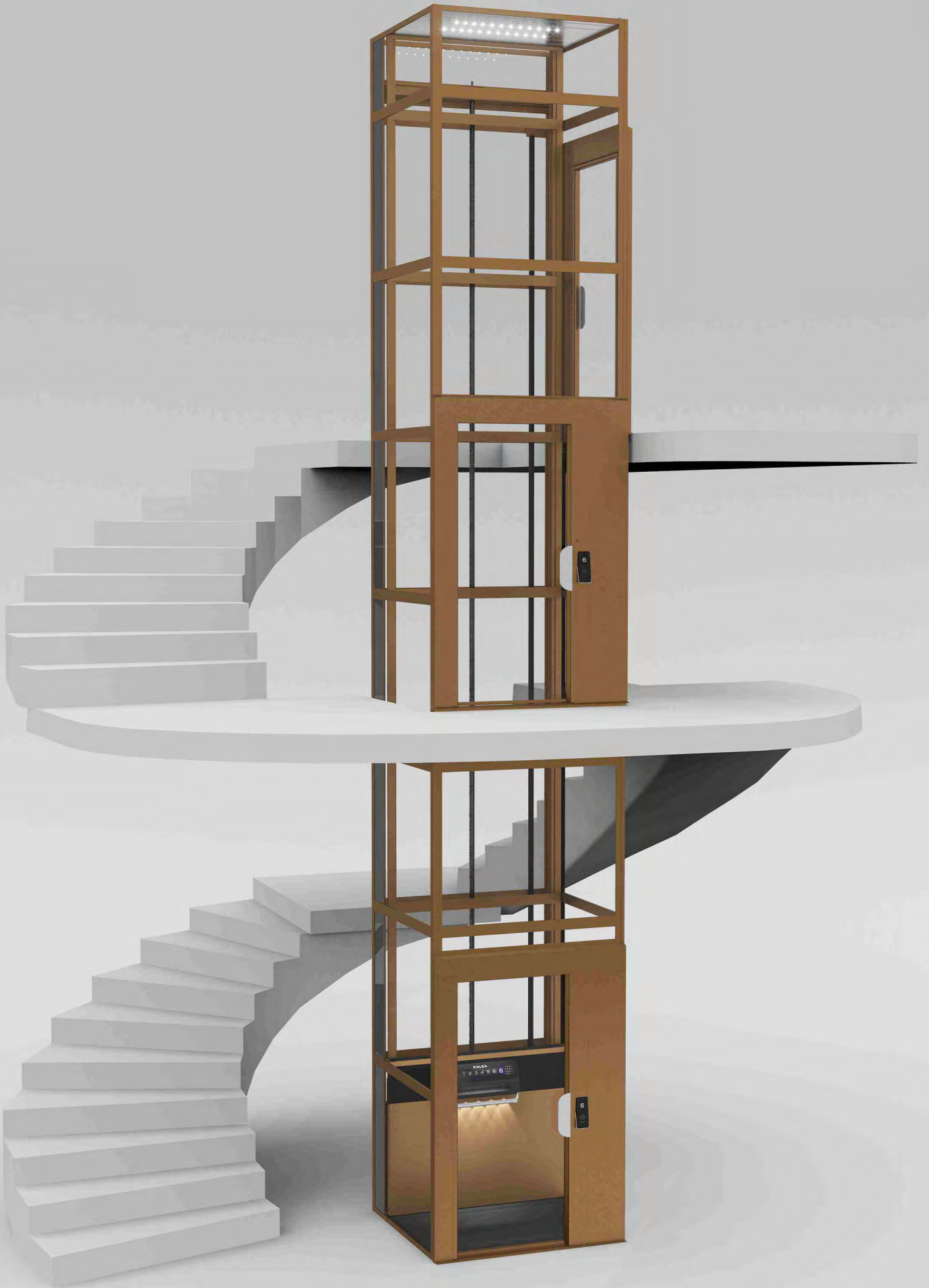
Screw-driven platform lifts are powered by the rotation of a nut on a screw, and come with their own shaft. Thanks to its driving principle and design, screw-driven platform lifts do not require a pit, machine room or shaft. These features make it ideally suited for the home.

- No shaft and no pit required
- No machine room and low headroom
- No leaky hydraulic oils
- Glass on all sides for a 360 panoramic view
- Super space-saving solution
- Indoor or outdoor, all weather
- Single or Three Phase
- A-rated energy consumption
- Easy and low-cost maintenance

SWEDISH QUALITY **SAFETY FIRST**

All of our products are carefully monitored and inspected to ensure that they meet all European safety and quality standards, specifically the EN 81-41 specification but also the all-important SIL-3 examination. Safety and security are at the core of our mission and are central to the promise we make our customers.





K O S M O S



K60

The first step toward a truly luxe experience. With a state-of-the-art touchscreen, and a beautifully simple platform, the K60 takes home lifts to a whole new level.



K70

For the intelligent customer – the K70 comes packed with luxurious details such as PU leather finishes, extra lighting and more customization



K90

The top-of-the-line Kosmos, K90 comes with features no other lift has: a built-in high-powered custom fan and LiT edges, for the ultimate lift experience.





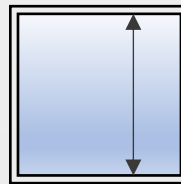
K60 Platform

K60 Shaft

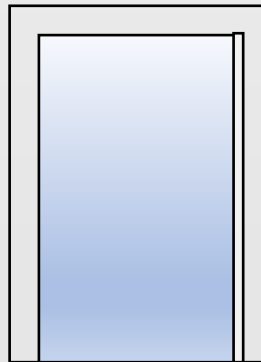


K60 Control Panel

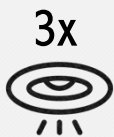
1000 Glass Panels



KAL6 Glass Maximizing Door



Touchscreen



3 Spot Lighting



Dialpad Phone



Emergency Stop Button



Premium Handrail



Silicon Safety Bar

TECHNOLOGY



Screw Drive



EcoSilent



European EN81-41





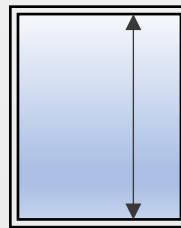
K70 Platform

K70 Shaft

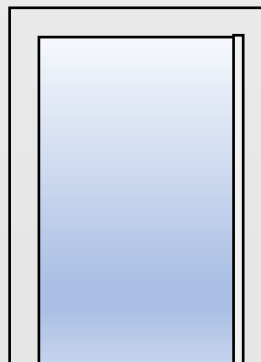


K70 Control Panel

1200 mm Glass Panels



KAL6 Glass Maximizing Door



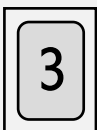
Touchscreen



4 Spot Lighting



Dialpad Phone



Floor Level Indicator



Light Strip



PU Leather Panel
And Safety Bar

TECHNOLOGY



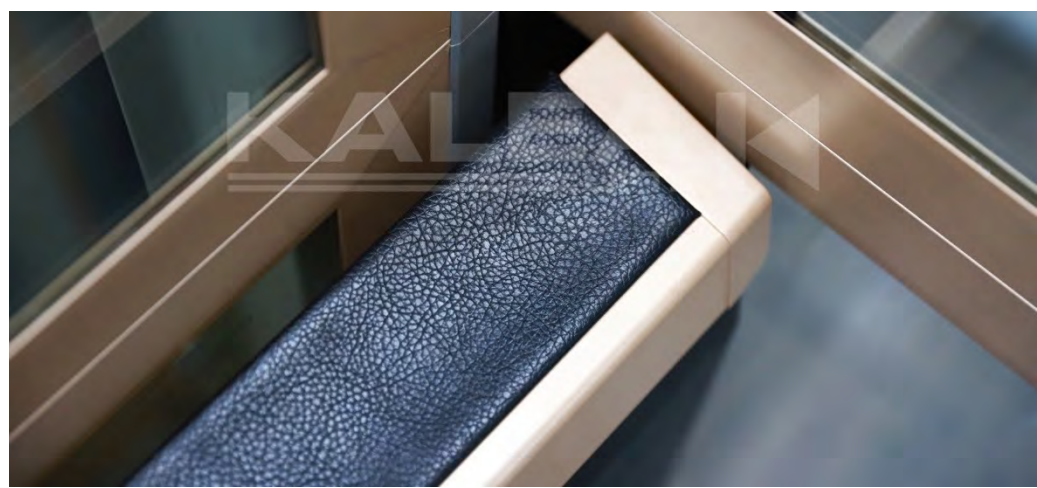
Screw Drive



EcoSilent



European EN81-41





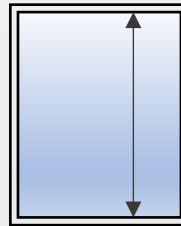
K90 Platform

K90 Shaft

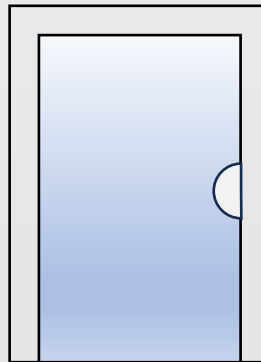


K90 Control Panel

1200 mm Glass Panels



KAL7 Glass Maximizing Door



Touchscreen



5 Spot Lighting



Dialpad Phone



LiT Safety Edge



High Power Fan



PU Leather Panel
And Safety Bar

TECHNOLOGY



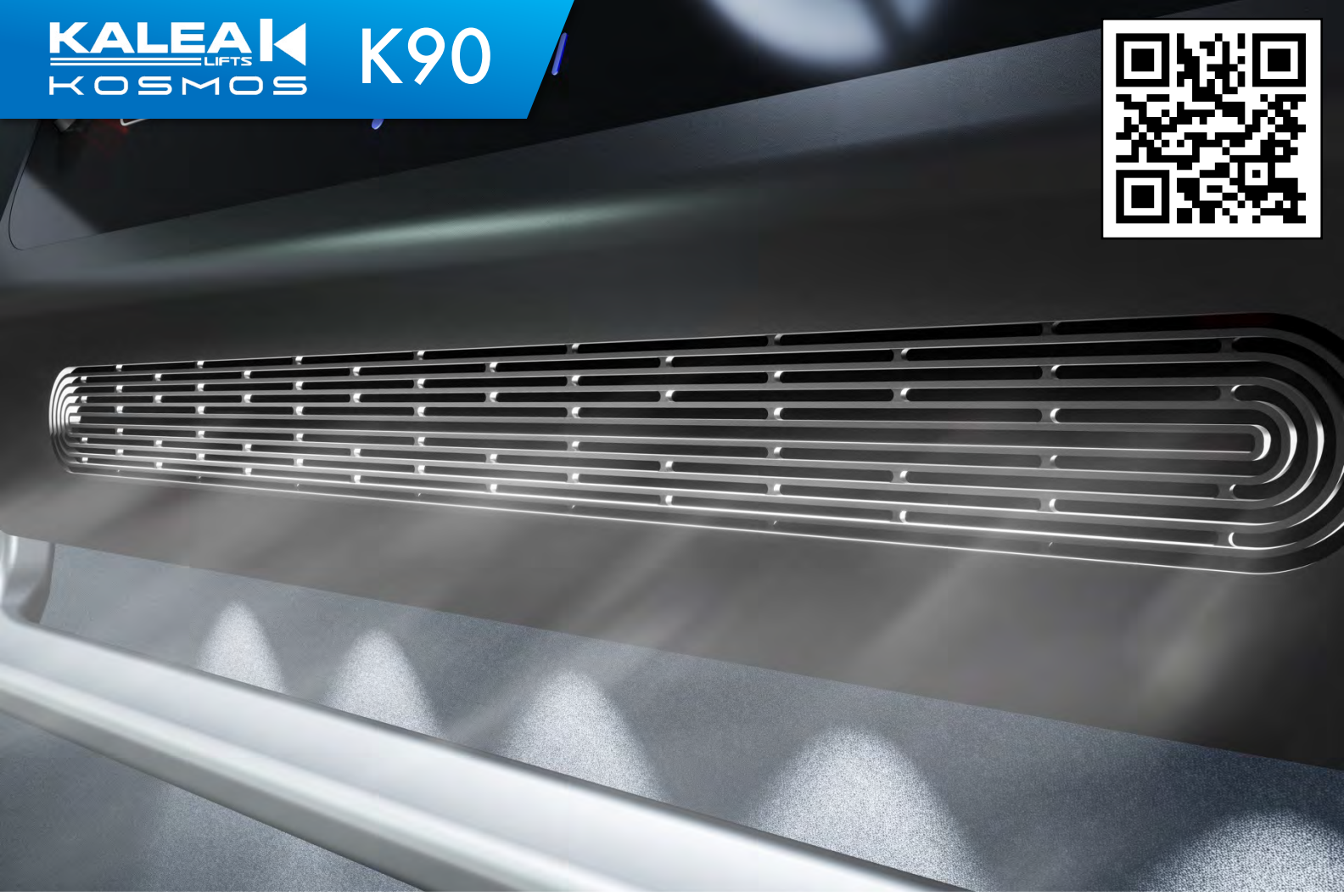
Screw Drive



EcoSilent



European EN81-41



KALEA MODELS COMPARED



K60

K70

K90

Control Panel

Emergency Stop	✓	✓	✓
Freedial Phone	✓	✓	✓
Touchscreen	✓	✓	✓
Silica Safety Bar	✓		
Leather Safety Bar		✓	✓
Floor Level Indicator		✓	✓
Black COP	✓		
Silver COP		✓	✓
PU Leather Panel		✓	✓
Light Strip		✓	
Built-in Fan			✓
Spotlights	3	4	5

Shaft

1000 mm Panels	✓		
1200 mm Panels		✓	✓

Door

KAL6 Door	✓	✓	
KAL7 Door			✓
Reset Button	✓	✓	✓
Touchscreen Call Button	✓	✓	✓
Built In Level Indicator		✓	✓

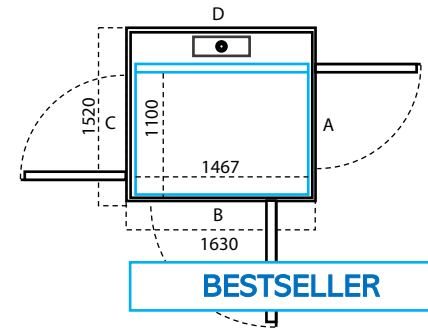
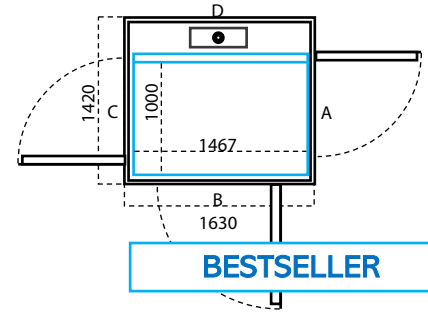
Other

Optional Child Lock	✓	✓	✓
Optional Other Locks	✓	✓	✓
LiT Safety Edges			✓

CUSTOMIZATION AND SIZES

	Platform Size (in mm)		Shaft Size (in mm)		Cut Out Size (in mm)	
	Width	Depth	Width	Depth	Width	Depth
S	600	830	960	872	1020	980
S	800	830	1160	872	1220	980
S	900	830	1260	872	1320	980
S	1000	830	1360	872	1420	980
S	1100	830	1460	872	1520	980
S	800	930	1160	972	1220	1080
S	900	930	1260	972	1320	1080
S	1000	930	1360	972	1420	1080
S	1100	930	1460	972	1520	1080
M	800	1217	1160	1259	1220	1380
M	900	1217	1260	1259	1320	1380
M	1000	1217	1360	1259	1420	1380
M	1100	1217	1460	1259	1520	1380
M	800	1267	1160	1309	1220	1430
M	900	1267	1260	1309	1320	1430
M	1000	1267	1360	1309	1420	1430
M	1100	1267	1460	1309	1520	1430
L	800	1367	1160	1409	1220	1530
L	900	1367	1260	1409	1320	1530
L	1000	1367	1360	1409	1420	1530
L	1100	1367	1460	1409	1520	1530
L	800	1467	1160	1509	1220	1630
L	900	1467	1260	1509	1320	1630
L	1000	1467	1360	1509	1420	1630
L	1100	1467	1460	1509	1520	1630
L	1100	1597	1460	1639	1520	1760

L3&L4 PLATFORM SIZE (WXD) MM	
Platform size	1000 x 1467 1100 x 1467
Finished size	1360 x 1509 1460 x 1509
Cut-Out Size	1420 x 1630 1520 x 1630



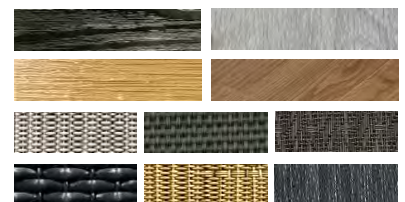
Premium Colors

Choose amongst our range of premium powdercoats with matte, metallic and sparkly finishes



Flooring Options

Premium Carpets



Own Flooring: 20 mm recess for local flooring

CHILD LOCK

SAFE FOR YOUR CHILDREN

Prevent children from riding alone with Kalea's innovative **Child Lock System**. More than a safety option – the Child Lock is subtle in design, adds flair to your lift, and provides complete peace of mind.



K90 EXCLUSIVE

LIT SAFETY EDGE

EXCLUSIVE UPGRADE

Combining technology and beauty, the LiT Safety Edge is smooth elegance personified. It's soft glow warms the entire platform, diffusing light in a luxurious glow, making your ride unique every single time... especially in the night!



SCREW - DRIVE GENERATIONS

EcoSilent

2020 - Present



3rd Generation: Performance Lift

- **Reduced oil use:** no oil on guiderails, auto-lubricating system on screw
- **More energy savings:** 1.5 kW motor
- **Silent operation:** new screw pitch and silent box for sound as low as 40 dB
- **Reduced maintenance:** as low as once per year

CiCon

2017 - 2020



2nd Generation: Smart Lift

- **Smart Operating System:** digital operating system (i.e. software)
- **Fault and Breakage Record:** keeps track of all key metrics e.g. travel distance, number of faults and reason to help improve repairs
- **Warning Systems:** e.g. low battery system
- **Upgradeable software:** can be upgraded routinely during maintenance
- **Higher Travel height:** from 13 to 20 m!
- **Advanced Features:** e.g. floor specific locks

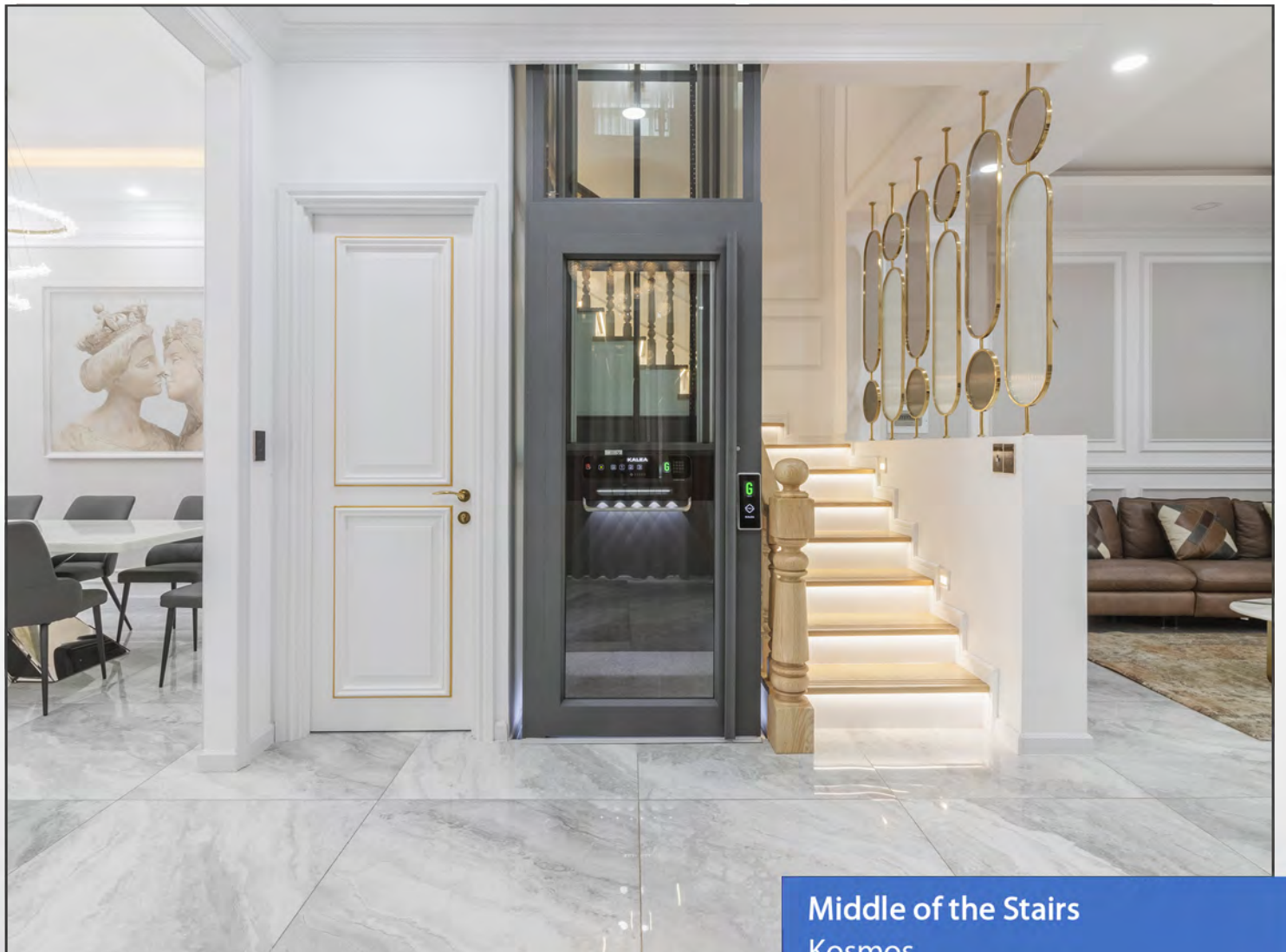
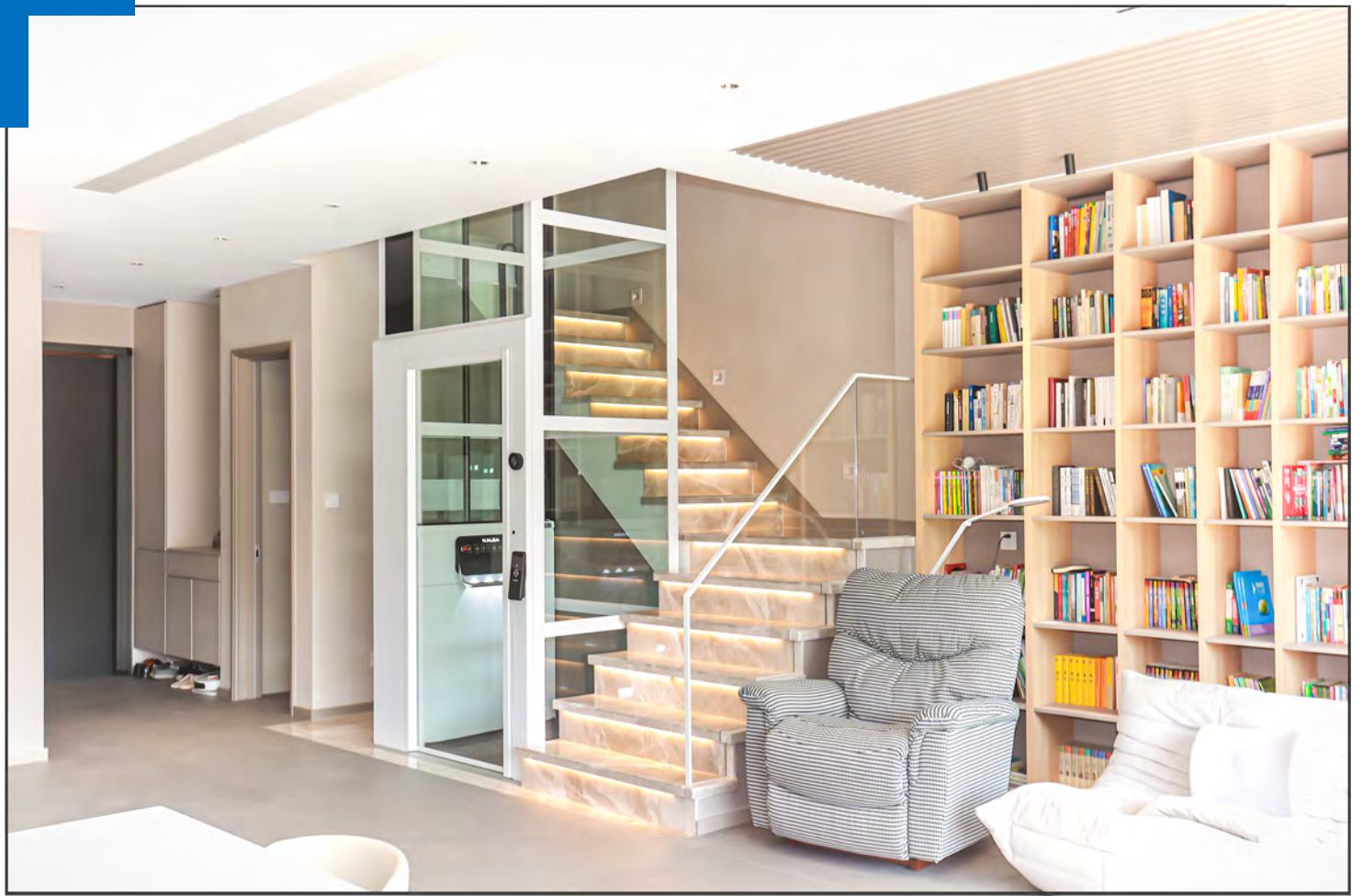
ELI

1990 - 2017

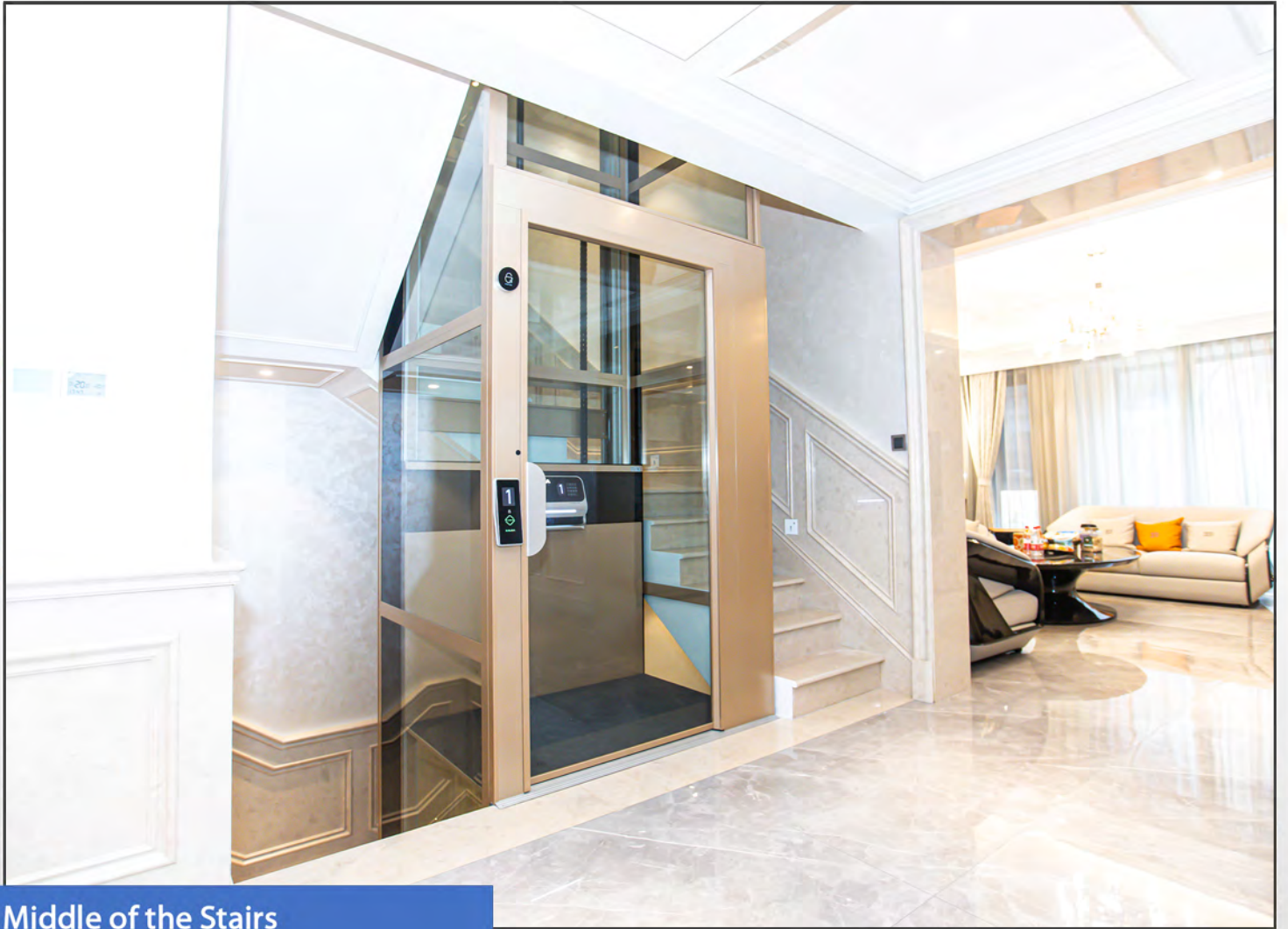


1st Generation: Mechanical Lift

- **Mechanical System:** all functions were mechanical and not driven by software
- **Lower Travel Height:** 13 m
- **Discontinued in 2017** for all Kalea products



Middle of the Stairs
Kosmos



Middle of the Stairs
Kosmos



Full Outdoor
Kosmos



Semi-Outdoor
Kosmos



CIBES LIFT LLC

DUBAI SHOWROOM

Office 107 Bahwan Plaza
Umm Al Sheif, SZR
Dubai, UAE
Tel: 04 255 9750
Email: info@cibeslifts.me

ABU DHABI SHOWROOM

Office No. 2 Danet Abu Dhabi Tower
Al Sa'adha Street, Danet
Abu Dhabi, UAE
Tel: 02 553 5725
Email: info@cibeslifts.me